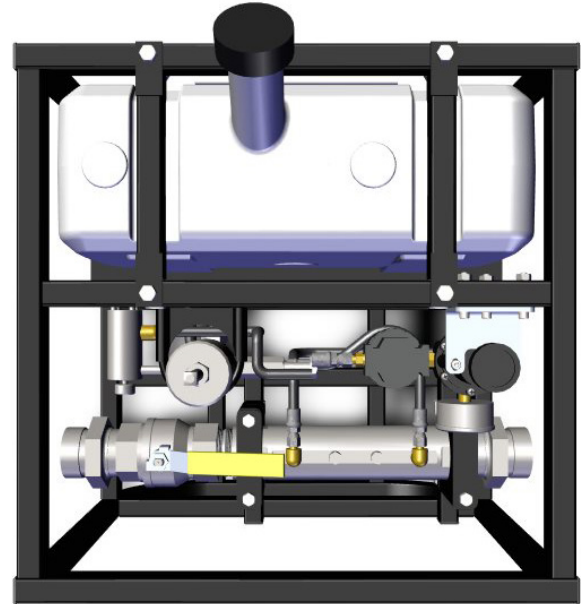
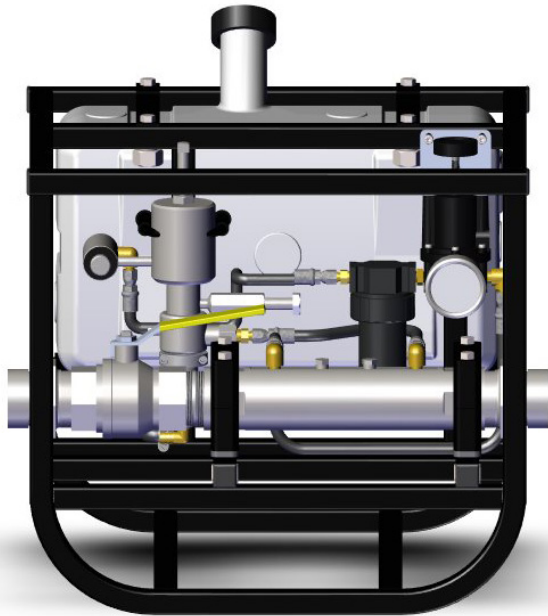




# 5 GALLON (19 LITER) LUBRICATION SYSTEM



## FEATURES

- Positive displacement air operated pump
- Allows a consistent volume of rock drill oil to be supplied to the hammer unlike venturi systems
- Pump includes a set screw which allows for proper amount of oil to be pumped
- Single pump system pumps up to 16 quarts/hr (15 liters/hr)
- Outlet pressure up to 1500 psi (103.5 Bar)
- Stainless steel manifold with 2" Boss Couplings for easy setup
- Manifold has multiple inlets to supply water and/or foam
- Small, lightweight and highly portable weighing only 79 pounds without oil

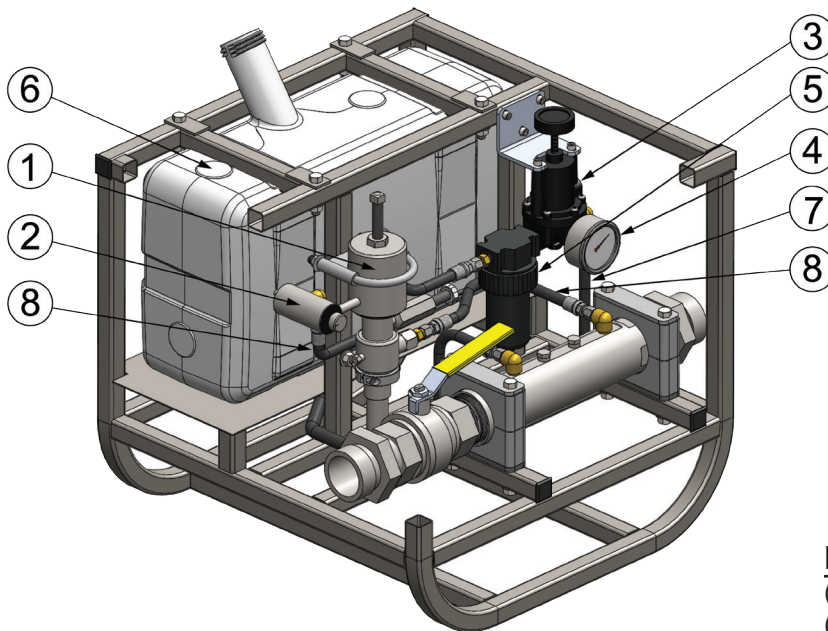
Hammer	Rock Drill Oil Volume Required
3" - 4"	1 qt/hr (1 L/hr)
5" - 6"	2 qts/hr (2 L/hr)

NOTE: If using environmentally friendly rock drill oils, increase injection rate by 25%



646 Thompson Road • Thompson, CT 06277 USA  
 Phone: (800) 356-NUMA • (860) 923-9551 • Fax: (860) 923-2617  
 E-mail: [numa@numahammers.com](mailto:numa@numahammers.com) • [www.numahammers.com](http://www.numahammers.com)

## *Lubricator 5 Gallon Assembly w/ 2" Manifold*



### Part Identification

- (1) Positive Displacement Lubricator Pump
- (2) Pump Timer Assembly
- (3) Air Pressure Regulator
- (4) Pressure Gage 0-500 PSI 1/4 NPT
- (5) Air Filter
- (6) Lubricator Tank
- (7) High Pressure Hose 1/4 JIC x 14"
- (8) High Pressure Hose 1/4 JIC x 19"
- (11) Adaptor 2.5-8 NPSM Boss x 2-11.5 NPT
- (12) Elbow 1/4 NPT x 1/4 JIC 90°
- (13) 1/4 NPT Plug

